



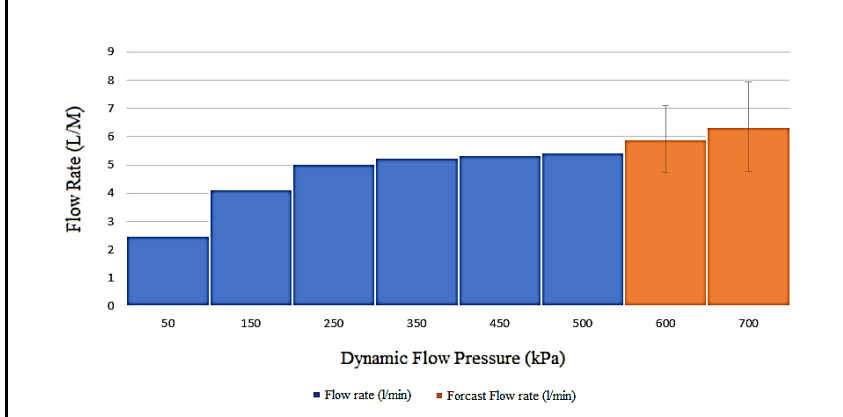
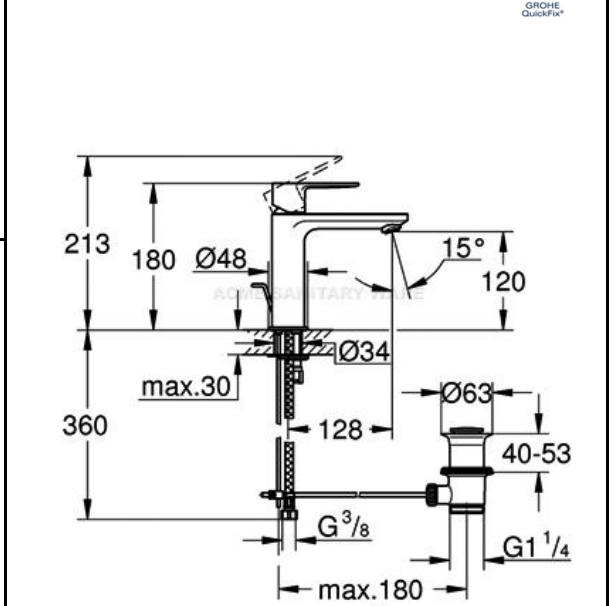
PROJECT		REF		REV	ITEM CODE	
LOCATION		DATE			PAGE	

SANITARY WARE SPECIFICATION SHEET

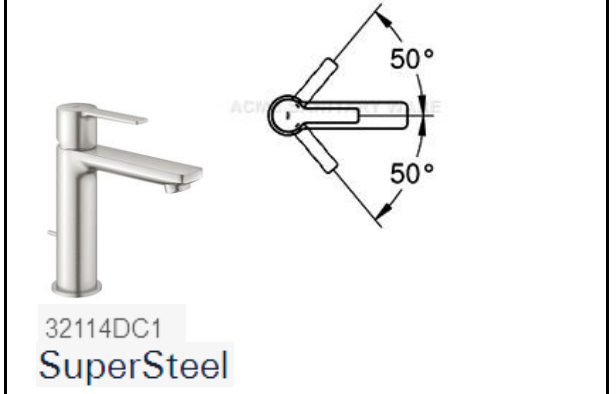
Item Descriptions	GROHE (Germany) "Lineare" Single-lever basin mixer with standard high spout; nominated flow rate 4.8 L/min in WELS Grade 1 ; Registration No. TM 18-0096
Dimensions	Height = 213 mm
Model	32114001
Material	Chrome Plated
Manufacturer	GROHE Limited
Supplier	Acme Sanitary Ware Co. Ltd Mr. Eric Wong/ Mr. Don Yuen
Contact Tel/Fax	(852) 2388-7171 / (852) 2710-8012
E-mail	acme@acmesanitary.com.hk
Website	www.acmesanitary.com.hk



Lineare Single-lever Basin Mixer 1/2" S-Size single hole installation, metal lever
GROHE SilkMove 28 mm ceramic cartridge with temperature limiter
GROHE StarLight chrome finish
GROHE EcoJoy SpeedClean mousseur 5.7 l/min
GROHE QuickFix Plus installation system, pop-up waste set 1 1/4" flexible connection hoses



Dynamic flow pressure (kPa)	50	150	250	350	500
Flow rate (l/min)	2.48	4.15	5.05	5.25	5.43



* All information of the above is for the reference only. No prior notice is made if any changes.



自願參與用水效益標籤計劃 - 水龍頭
Voluntary Water Efficiency Labelling Scheme - Water Taps




茲證明

This is to certify that

將下列水龍頭在本計劃內註冊：
has registered the following water tap under this scheme :

牌子 / Brand	:	GROHE
型號 / Model	:	32114XX1
種類 / Type	:	Mixing
原產地 / Country or Region Origin	:	Germany

在用水效益標籤上展示的標誌 <i>Symbolic Presentation on the Water Efficiency Label</i>	:		滴水點 <i>Water droplet (D)</i>
用水效益級別 <i>Water Efficiency Grade</i>	:	1	
耗水量 <i>Water Consumption</i>	:	4.8	公升/分鐘 <i>litres/minute</i>

發證日期：
Date of Issue: 4 May 2018

 水務署
Water Supplies Department



水務署署長(周世威代行)
for Director of Water Supplies